



OPERATING TABLE
INSTRUMENT TROLLEY
EXAMINATION TABLES

**A cost-effective, convenient,
smartly designed and innovative range**



Operating room



OUR
TABLES ARE
DELIVERED
ASSEMBLED

Stainless steel 130 x 63 cm boxed top operating table

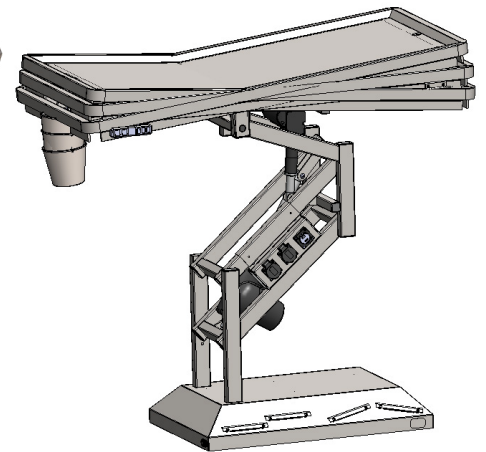
- Minimum height: 66 cm
- Maximum height: 114 cm
- Maximum load: 90 kg
- Electric footswitch:
 - **Up and down**
 - **Left and right tilt (up to 10°)**
- Electric hand control:
 - Up and down
 - 2 height memorizations
- **Quiet and stable electric cylinder**
- 4 sliding cleats for immobilization
- Optional stainless steel grill (40 x 63 cm)



Up to 10° tilt lengthwise ▼



Optional stainless steel grill ▲



Type 304 stainless steel has a great corrosion resistance. Its brushed and polished finish offers a simple and elegant design.

Stainless steel or HPL 60 x 40 cm top over table instrument trolley

- **Easy cleaning**
- Minimum height: 70 cm
- Maximum height: 115 cm
- Maximum load: 15 kg
- 4 castors, 2 with brakes
- **Base distance adjustable from 47 to 77 cm**
- Flat packed for easy self assembly

Gentian blue ▼
HPL table top

Stainless steel
boxed table top



4 different HPL table top colors:

- ▶ Gentian blue
- ▶ White
- ▶ Graphite black
- ▶ See green



22 rue Charles de Gaulle
22100 Lanvallay - France
Tel. +33 (0)2 96 85 86 76

export@manomedical.com

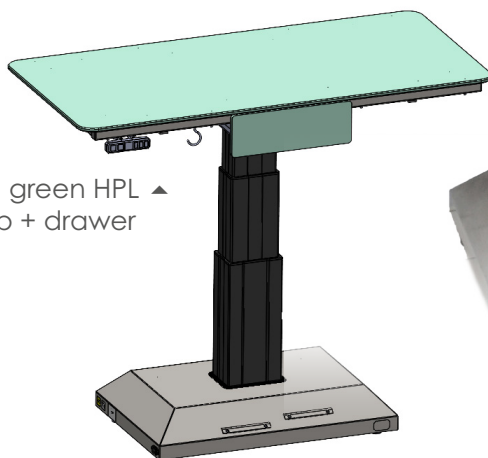
www.manomedical.com

Examination room

• Stainless steel or HPL 130 x 63 cm top column table

- Available with or without scale
- Minimum height: 60 cm
- Maximum height: 110 cm
- Maximum load: 60 kg
- **Silent and smooth lifting table**
- Adjustable base for great stability
- Up and down footswitch
- Electric hand control
 - Up / Down
 - **2 height memorizations**
- Front drawer (int. dim. 31.5 x 26.5 x 7 cm)

Sea green HPL ▲
top + drawer



Graphite black HPL ▲
top + drawer



• Full storage HPL 130 x 63 cm top table

Mobile model (4 castors, 2 with brakes)

Stationary model (adjustable feet)

- Height: 91 cm
- Maximum load: 100 kg
- **3 push open drawers (34 x 55 x 8.5 cm)** with a 30 kg maximum load each
- 1 large central cupboard, **including 2 separate trays, 35 l each**
- Side handles

Gentian blue ▼



Graphite black ▼



Sea green ▼



White ▼



Examination room

• Stainless steel or HPL 120 x 63 cm top lift table

- Flat top to guarantee maximum hygiene
- Maximum load: 80 kg
- **Heavy duty lift mechanism for great stability**
- Up / Down footswitch
- Electric hand control
 - Up / Down
 - 2 height memorizations



▲ Stationary model sea green HPL table top

Mobile model (stretcher table use)

- 4 wheels, 2 with brakes
- **Minimum height: 24 cm**
- Maximum height: 108 cm
- Rechargeable battery



Mobile model ▲ Gentian blue HPL top



4 DIFFERENT COLORS
BLUE, WHITE,
BLACK, GREEN

Stationary model available with or without scale

- Adjustable feet
- **Minimal height: 20 cm**
- Maximum height: 104 cm

WE GUARANTEE:

✓ STAINLESS STEEL AND HPL PARTS 5 YEARS ✓ ELECTRICAL PARTS 2 YEARS*

(*Except 1 year on scale)



Why use a High Pressure Laminate (HPL) table?

HPL offers many advantages:

- ✓ durable and designed to withstand daily use
- ✓ water and anti-bacterial resistant
- ✓ easy to maintain, regular cleaning requests only soap and water
- ✓ comfortable for the animal thanks to noise-free surface
- ✓ stylish and innovative, our tables are available in different colors to match your space:

Gentiane Blue  White  Graphite black  Sea green 

Just as highly durable and easy to clean, our stainless steel tables are a top-quality alternative!

Contact us **+33 (0)2 96 85 86 76** to help you in your choice.



22 rue Charles de Gaulle
22100 Lanvallay - France
Tel. +33 (0)2 96 85 86 76

export@manomedical.com

www.manomedical.com