

VetLight 30

Exam LED Light (35 000 Lux)

Ergonomic Design • Compact • Easy to Move

Advanced technology for high comfort in use



LED LIGHTING

The bright and cold light of VetLight 30 reproduces colours faithfully, assuring an excellent definition of details.

It benefits from incomparable assets:

- American LEDs guaranteed 18 months
- A 60,000-hour Led lifetime
- Colour Rendering Index (CRI) does not undergo any alteration of value.



WHITE AND COLD LIGHT

The dome of Vetlight 30 consists of 9 LED lenses arranged radial fashion to suppress shadows and ensure three-dimensional lighting.

VetLight 30 is a concentration of unparalleled-performance technology offering many advantages:

- It does not dazzle
- It does not strain the eyes and favours concentration
- It suppresses all the shadows
- It produces lower temperature generating more comfort for the practitioner



ERGONOMY

The lower part of the reflector incorporates, besides the switch, a digital control to adjust the light with visual signal of the intensity set.

The interposition of the operator head or hands between the lamp and the patient does not interfere at all on the quality and above all on the colour temperature of the light on the lighted zone.

- The structure has a side full-circle handling without any stops
- The arm moves vertically thanks to a spring-compensated balancing system
- The reflector can be rotated on the vertical and horizontal axis.

VetLight 30 is equipped with a sterilizable handle.

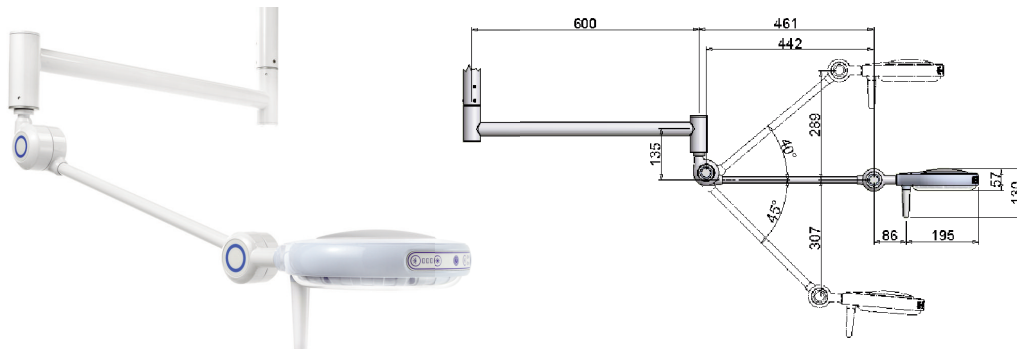
By simply pressing the digital key K on the membrane keyboard, the veterinarian can choose between two different white light temperature:

- 4000° K and 4500° K without altering the light intensity.



VetLight 30

VetLight 30 Ceiling



VetLight 30 Floor



TECHNICAL DATA

Light intensity at 1 m (Ec) @ 5.000 °K	35,000	Lux
Light field diameter	28	cm
Colour temperature: double selection	4,000/4,500	°K
Color rendering index (CRI)	95	Ra
No. of LEDs	9	
Light field diameter	280	mm
d10 light field diameter where illuminance reaches 10% of Ec	250	mm
d50 light field diameter where illuminance reaches 50% of Ec	125	mm
Depth of illumination IEC 60601-1-2-41 (L1 + L2) à 60%	136	cm
Control of the illuminance (%)	25 -100	in 7 steps
Average Led lifetime	60,000	hours
Primary voltage	100 / 240	V
Frequency	50 / 60	Hz
Weight (Ceiling, Floor and Wall)	12, 14 and 13	kg



**Mano
Médical**

Medical equipment for veterinarians

22 rue Charles de Gaulle
22100 Lanvallay - France
Tel. +33 (0)2 96 85 86 76

export@manomedical.com

www.manomedical.com